

**11103****JEEP SRT 8**

10/22/2020

GROSS LOAD CAPACITY WHEN USED AS A WEIGHT CARRYING HITCH: 2,000 LBS. TRAILER WEIGHT &amp; 200 LBS. TONGUE WEIGHT.

**\*\*\*DO NOT EXCEED VEHICLE MANUFACTURER'S RECOMMENDED TOWING CAPACITY.\*\*\***

WARNING: ALL NON-TRAILER LOADS APPLIED TO THIS PRODUCT MUST BE SUPPORTED BY AUXILIARY STABILIZING STRAPS.

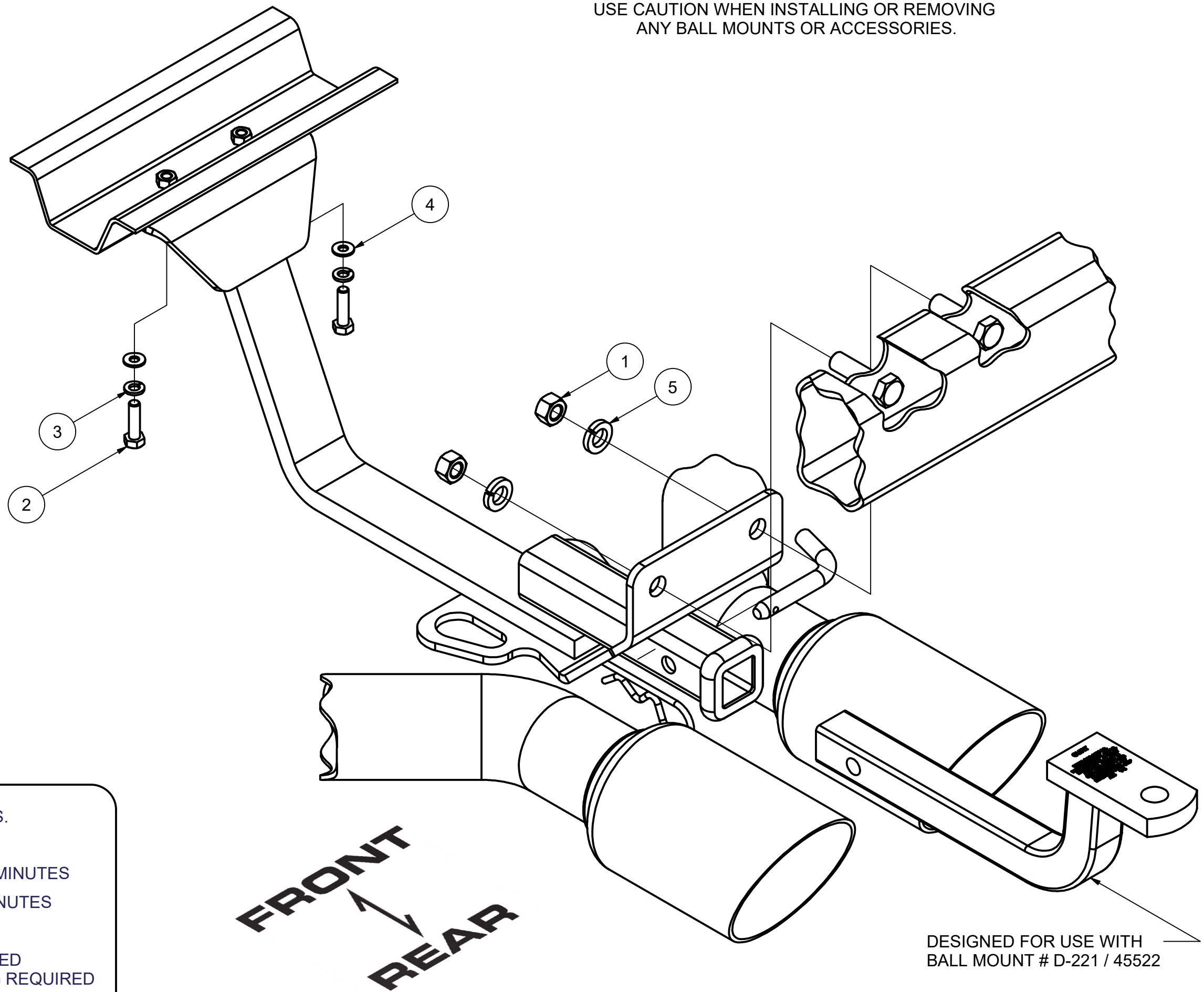
**\*\* FAILURE TO PROPERLY SUPPORT NON-TRAILER LOADS WILL VOID PRODUCT WARRANTY\*\***

HAVING INSTALLATION QUESTIONS? CALL TECHNICAL SUPPORT AT 877-287-8634

Parts List			
ITEM	QTY	PART NUMBER	DESCRIPTION
1	2	20-00185	NUT,HEX,M14x2,CL10,YZ
2	2	10-10440	HHCS,M8x1.25,30,CL10.9,YZ
3	2	30-00219	5/16" LOCK WASHER, YZ
4	2	30-00188	1/4" WASHER
5	2	30-00194	WASHER,LOCK,9/16,YZ

**\*\*CAUTION\*\***

HITCH, BALL MOUNT, HITCH PIN AND HITCH PIN CLIP  
MAY BECOME HOT DURING VEHICLE OPERATION.  
USE CAUTION WHEN INSTALLING OR REMOVING  
ANY BALL MOUNTS OR ACCESSORIES.



HITCH WEIGHT: 24 LBS.

INSTALL TIME

PROFESSIONAL: 10 MINUTES

NOVICE (DIY): 20 MINUTES

INSTALL NOTES:

- NO DRILLING REQUIRED
- NO FASCIA TRIMMING REQUIRED

**INSTALLATION STEPS**

1. Raise hitch into position as shown. Slide the rear bracket over existing 14mm studs protruding from the bumper. Do not remove existing 14mm nuts.
2. Push the hitch up to make contact with the floor rib of the vehicle. Install (2) 8mm bolts with washers and lock washers into existing weldnuts.
3. Install (2)14mm nuts with lock washers onto existing studs at the bumper beam.
4. Torque all 14mm fasteners to 126 lb-ft, and all 8mm fasteners to 23 lb-ft.

**PERIODICALLY CHECK THIS RECEIVER HITCH TO ENSURE THAT ALL FASTENERS  
ARE TIGHT AND THAT ALL STRUCTURAL COMPONENTS ARE SOUND.**

Curt Manufacturing Inc., warrants this product to be free of defects in material and/or workmanship at the time of retail purchase by the original purchaser. If the product is found to be defective, Curt Manufacturing Inc., may repair or replace the product, at their option, when the product is returned, prepaid, with proof of purchase. Alteration to, misuse of, or improper installation of this product voids the warranty. Curt Manufacturing Inc.'s liability is limited to repair or replacement of products found to be defective, and specifically excludes liability for incidental or consequential loss or damage.